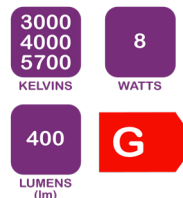
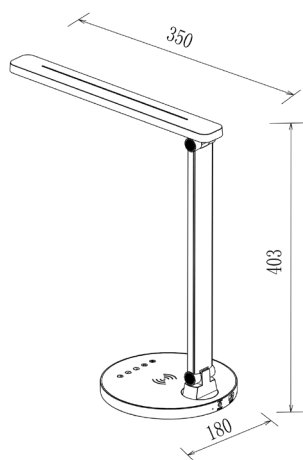
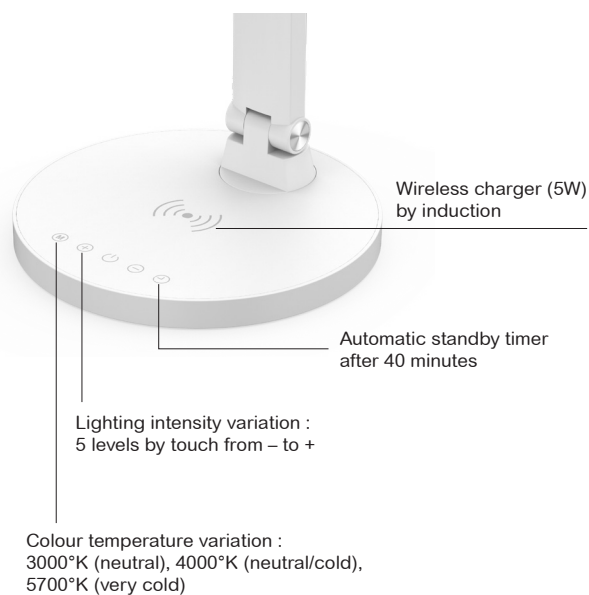


LED DESK LAMP ATIAS

Sophisticated light for bright ideas !



Lamp type

- Technologic collection
- Adjustable articulated arm
- Reclining head
- Rotating base

Lighting type

- Integrated LED 8W
- Lighting intensity 400 lumens (1000 lux)
- Lighting intensity variation : 5 levels by touch from - to +
- Colour temperature variation : 3 colours CCT mode : 3000°K (neutral), 4000°K (neutral/cold), 5700°K (very cold)

Plus product

- Adjustable and foldable arm
- Automatic standby timer
- Wireless charger (5W) by induction
- Additional USB port on the back
- Possibility of changing the colour temperature and light intensity

Product informations

- Material : ABS
- Tactile switch on the base
- Colour : white
- Dimensions : H 40 cm, head 35 cm, base diam 18 cm
- Works on mains supply
- Warranty : 2 years
- Energy class : G
- Lamp weight : 0,7 kg
- ENEC : Yes / CE : Yes

REFERENCE	DESIGNATION	PRICE
LBTAT1.13	LED DESK LAMP ATIAS WHITE	